

## KMI



65

-

-

-

-

-

-

-

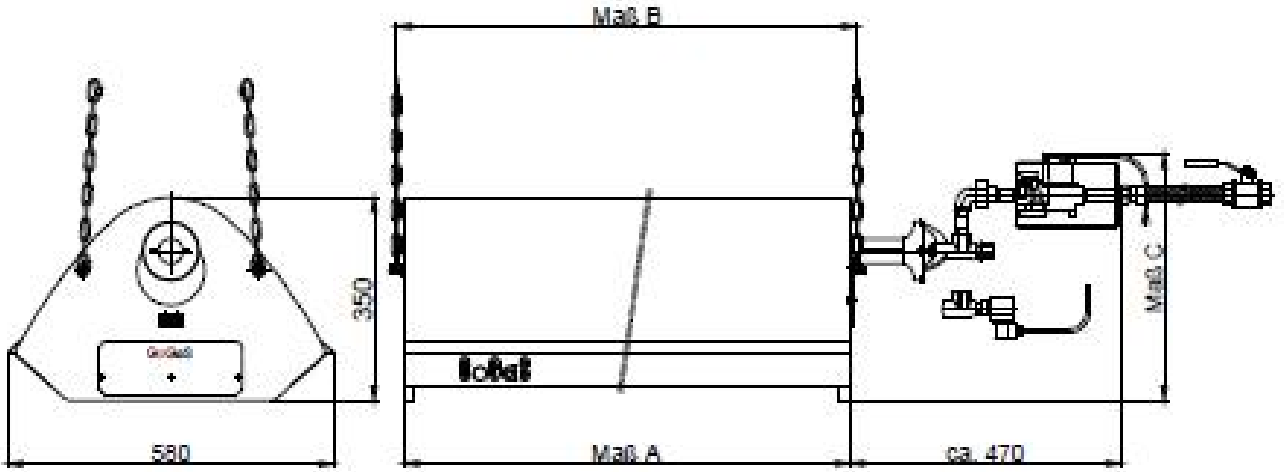
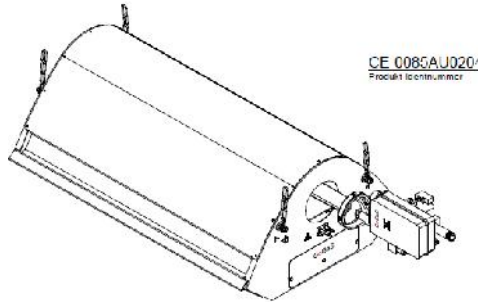
36

( . .1).

6

K I

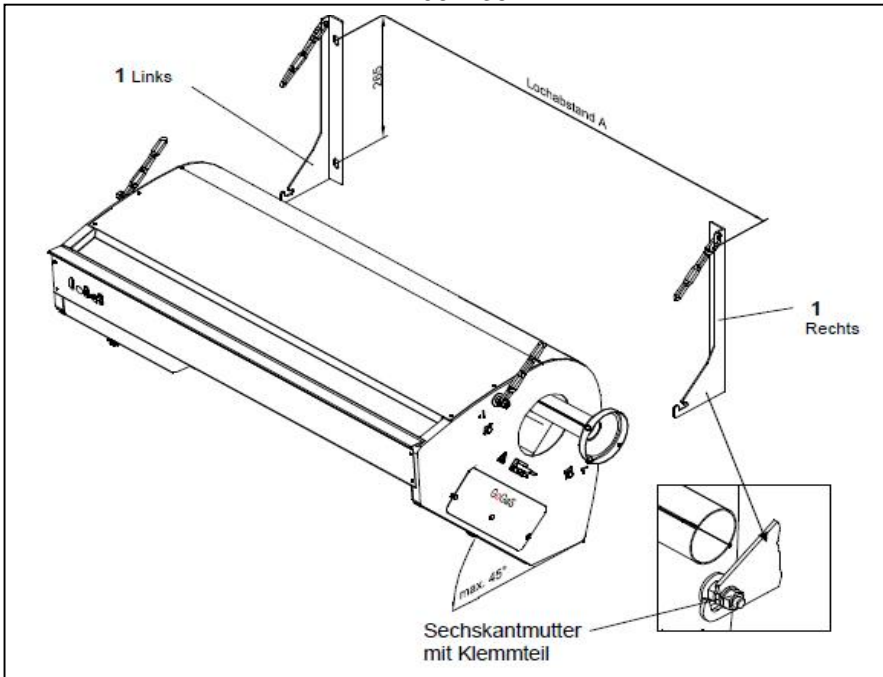
KMI



	*	( )		min. / max.		A	B	C	kg
		3/ *	/ *						
K I 06	3 - 6	0,30 - 0,60	0,23 - 0,47	25 - 95	60 - 95	480	505	436	14
K I 12	6 - 12	0,60 - 1,20	0,47 - 0,93	25 - 95	60 - 95	849	874	425	22
K I 18	9 - 18	0,90 - 1,81	0,70 - 1,40	25 - 95	60 - 95	1218	1243	425	30
K I 24	12 - 24	1,20 - 2,41	0,93 - 1,87	25 - 95	60 - 95	1587	1612	417	39
K I 30	18 - 36	1,81 - 3,61	1,40 - 2,80	25 - 95	60 - 95	2325	2350	417	54

\* /  
 : 220 /50 , 15  
 : 15 ( )  
 : 12 1- ; 32 2-  
 : R ½

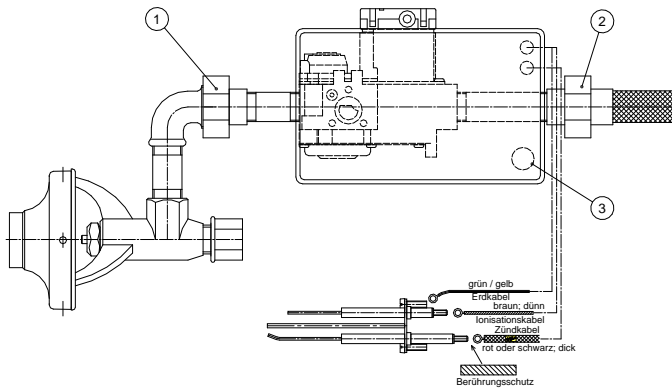
K 106 - 36



	K 106	K 112	K 118	K 124	K 136
A,	478	847	1216	1585	2323

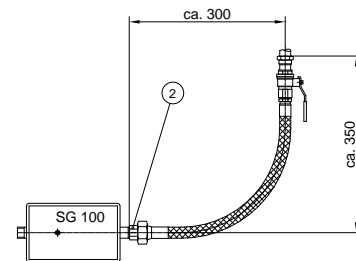
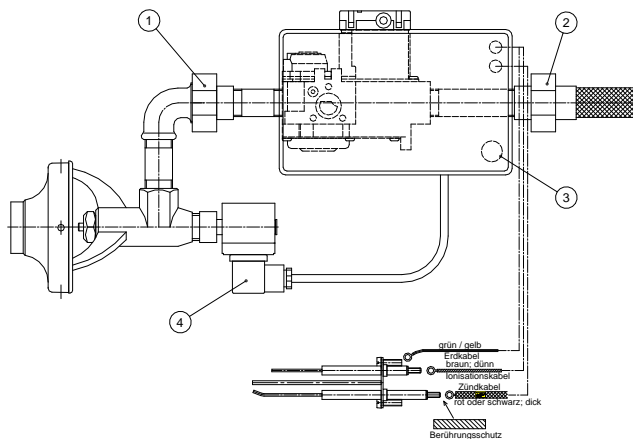
1 -

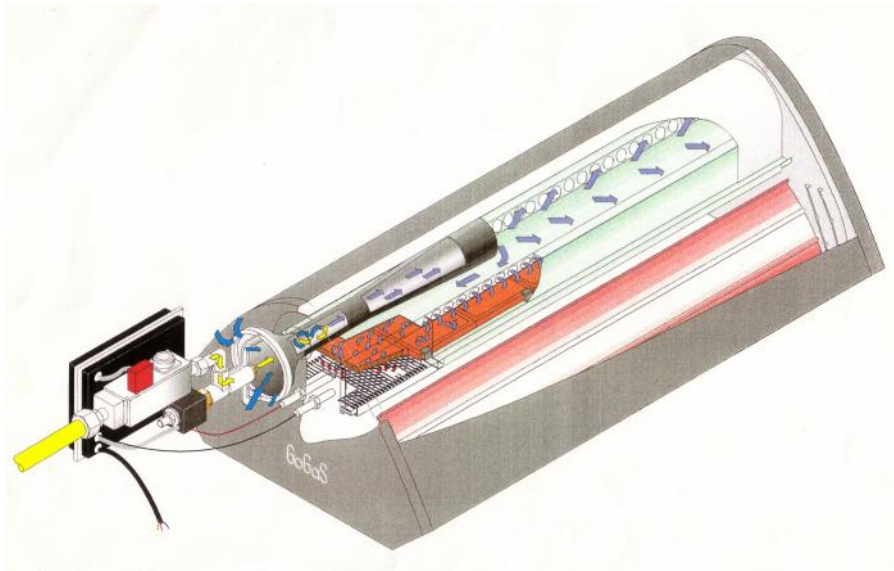
SR 3000 - 1


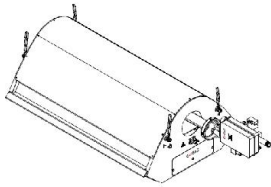
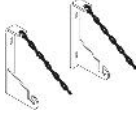


2 -

SR 3000 - 2





																																
	<p><b>K I</b></p> <p>K I : SR 3000 1          ( 2- ; SR 3000 Z)          55472-87</p> <p><b>K I</b></p> <p>( )</p> <table border="1" data-bbox="1002 1099 1230 1426"> <tr> <td>6</td> <td>1- .</td> <td></td> </tr> <tr> <td></td> <td>2- .</td> <td></td> </tr> <tr> <td>12</td> <td>1- .</td> <td></td> </tr> <tr> <td></td> <td>2- .</td> <td></td> </tr> <tr> <td>24</td> <td>1- .</td> <td></td> </tr> <tr> <td></td> <td>2- .</td> <td></td> </tr> <tr> <td>30</td> <td>1- .</td> <td></td> </tr> <tr> <td></td> <td>2- .</td> <td></td> </tr> <tr> <td>36</td> <td>1- .</td> <td></td> </tr> <tr> <td></td> <td>2- .</td> <td></td> </tr> </table>	6	1- .			2- .		12	1- .			2- .		24	1- .			2- .		30	1- .			2- .		36	1- .			2- .		
6	1- .																															
	2- .																															
12	1- .																															
	2- .																															
24	1- .																															
	2- .																															
30	1- .																															
	2- .																															
36	1- .																															
	2- .																															
<p>SR 3000</p>	<p>1- <b>SR 3000</b> ( / .)</p> <p>2- <b>SR 3000</b> ( / .)</p>																															
	<p><b>AW 84/II,</b></p>																															
	<p>- : DN 15          , 500</p>																															