



65

-

-

-

-

-

-

-

-

-

-

-

-

-

-

-

-

-

-

-

-

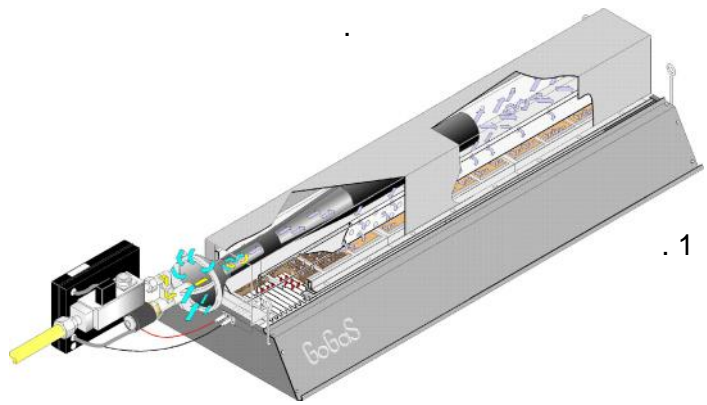
-

-

-

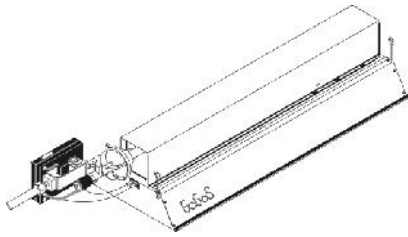
50 (. .1).

6

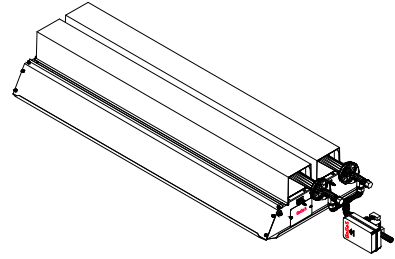


.1

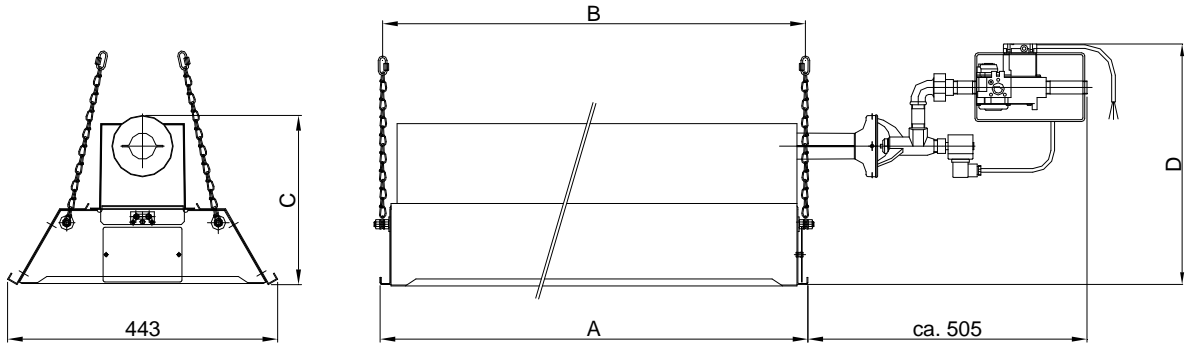
36



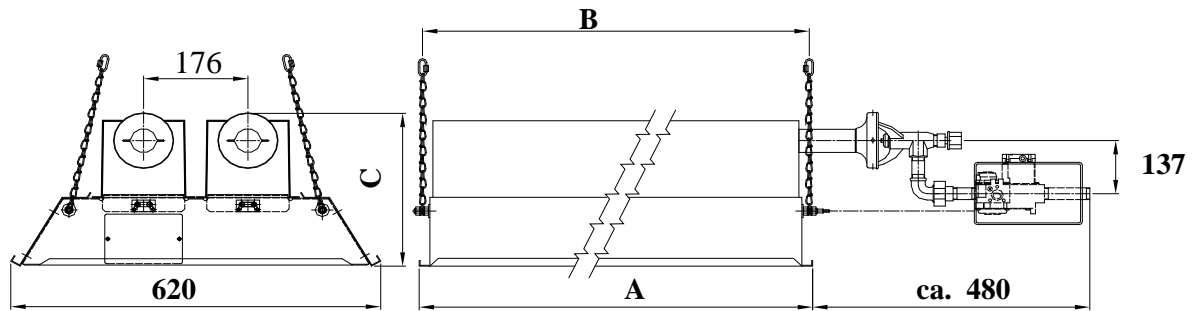
48



36



48



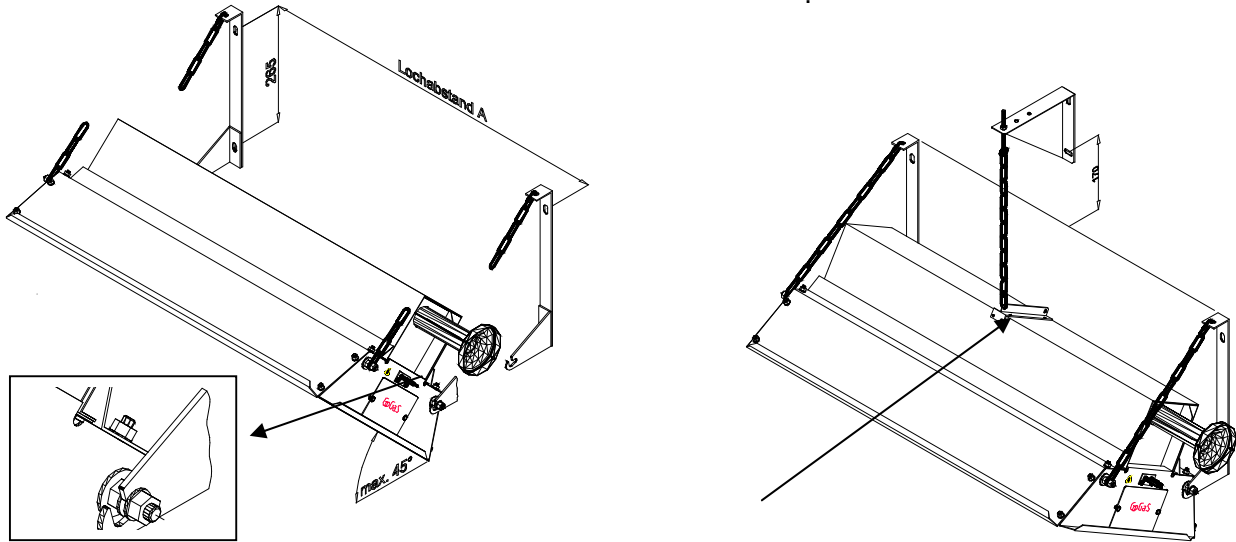
	*	()		min. / max.		A	B	C	D	kg
		3/ *	/ *							
06	3 - 6	0,30 - 0,60	0,23 - 0,47	25 - 95	55 - 100	484	476	290	410	7
12	6 - 12	0,60 - 1,20	0,47 - 0,93	25 - 95	55 - 100	853	845	280	400	13
18	9 - 18	0,90 - 1,81	0,70 - 1,40	25 - 95	55 - 100	1222	1214	280	400	17
24	12 - 24	1,20 - 2,41	0,93 - 1,87	25 - 95	55 - 100	1591	1583	270	390	22
30**	15 - 30	1,61 - 3,22	1,16 - 2,44	25 - 95	55 - 100	1591	1583	270	390	22
36	18 - 36	1,81 - 3,61	1,40 - 2,80	25 - 95	55 - 100	2332	2334	270	390	31
48	25 - 50	2,58 - 5,16	1,87 - 3,74	80 - 100	80 - 100	1601	1583	270	390	46

* /

**

: 220 / 50 , 15
 : 15 ()
 : 12 1-
 : R ½

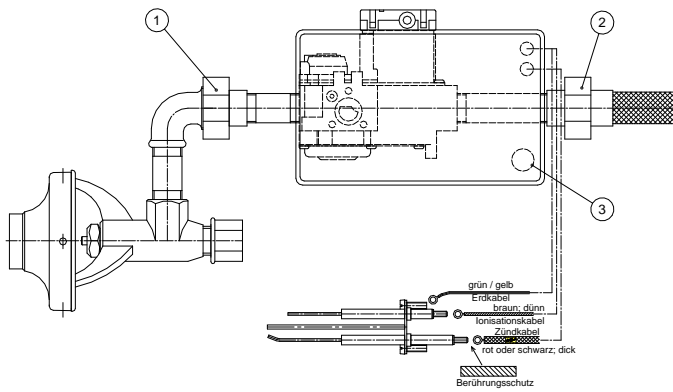
; 32 2-



	06	12	18	24	30	36	48
A ,	447	816	1185	1554	1554	2295	1554

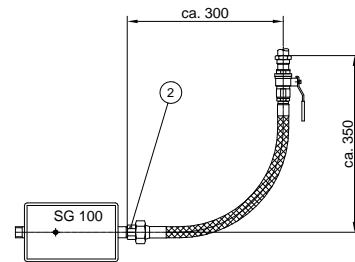
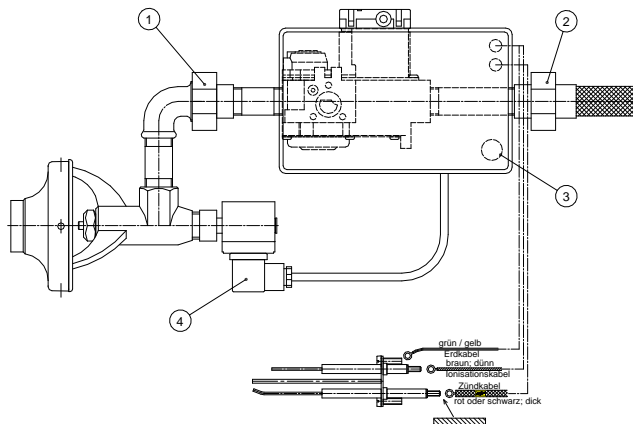
SR 3000 - 1

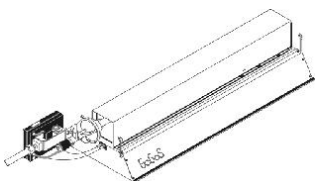
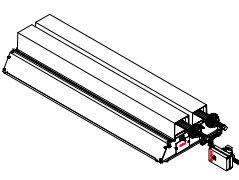
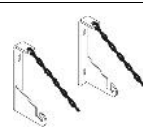

1 -



2 -

SR 3000 - 2



 	<p>SR 3000 1. 2- 55472-87 ; SR 3000 2)</p>																																										
	<table border="1"> <tr> <td rowspan="2">()</td> <td>6</td> <td>1- .</td> <td></td> </tr> <tr> <td></td> <td>2- .</td> <td></td> </tr> <tr> <td rowspan="2"></td> <td>12</td> <td>1- .</td> <td></td> </tr> <tr> <td></td> <td>2- .</td> <td></td> </tr> <tr> <td rowspan="2"></td> <td>24</td> <td>1- .</td> <td></td> </tr> <tr> <td></td> <td>2- .</td> <td></td> </tr> <tr> <td rowspan="2"></td> <td>30</td> <td>1- .</td> <td></td> </tr> <tr> <td></td> <td>2- .</td> <td></td> </tr> <tr> <td rowspan="2"></td> <td>36</td> <td>1- .</td> <td></td> </tr> <tr> <td></td> <td>2- .</td> <td></td> </tr> <tr> <td rowspan="2"></td> <td>48</td> <td>1- .</td> <td></td> </tr> <tr> <td></td> <td>2- .</td> <td></td> </tr> </table>	()	6	1- .			2- .			12	1- .			2- .			24	1- .			2- .			30	1- .			2- .			36	1- .			2- .			48	1- .			2- .	
()	6		1- .																																								
		2- .																																									
	12	1- .																																									
		2- .																																									
	24	1- .																																									
		2- .																																									
	30	1- .																																									
		2- .																																									
	36	1- .																																									
		2- .																																									
	48	1- .																																									
		2- .																																									
SR 3000	1- SR 3000 1 (/ .)																																										
	2- SR 3000 2 (/ .)																																										
	AW 84/II,																																										
	DN 15 , 500																																										

GoGaS Goch GmbH & Co. KG – Zum Ihnedieck 18 – 44265 Dortmund
. +49 - 231/46 50 585 – +49 - 231/46 50 588

e-mail: s.kolmanovsky@mail.ru semen.kolmanovsky@gogas.com